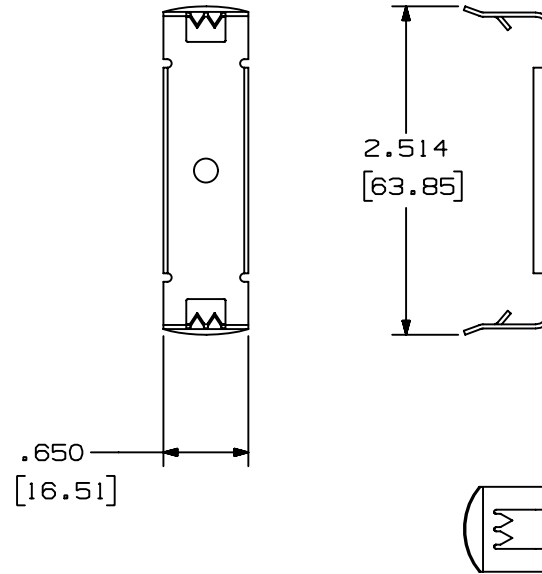


THIS COPY IS PROVIDED ON A RESTRICTED BASIS AND IS NOT TO BE USED IN ANY WAY DETRIMENTAL TO THE INTERESTS OF PANDUIT CORP.



NOTE.
 1. ALL DIMENSIONS ARE REFERENCE ONLY.
 2. DIMENSIONS IN PARENTHESES ARE METRIC.

| | | | | | | | | | |
|-----|---------|------|------|---------------------------------------|-----------------------------------------------------------------------------------------------------------------|---------------------------|------------------------|--------------------------|------------------|
| | | | | | CAD FILENAME/LAYERS | | S2F (36897-858)_01.prt | | |
| | | | | | PANDUIT CORP. TINLEY PARK, ILLINOIS WIRING DUCT - TYPE F DUCT SNAP CLIP (S2F) MARKETING DRAWING | | | | |
| 1 | 6-16-05 | JCST | MKBE | B. ADDED NOTES A. CHANGED MATERIAL | DRAWN BY JHNU | MAT'L: #21 Gage C.R.S. | SCALE FULL | DRAWING NO. 36897-858 | DWG SIZE A |
| R | 8-28-03 | JHNU | JGG | DRAWING RELEASED | DATE 8-28-03 | | | | |
| REV | DATE | BY | CHK | DESCRIPTION | CHK'D JGG | | | | |